

Assembly and user instructions

Platform ladder movable



55103 - 55108

56103 - 56108

58103 - 58108

50102 - 50108

51102 - 51108

54102 - 54108

50203 - 50208

51203 - 51208

59203 - 59208

Content

Introduction	3
Warranty and liability.....	3
Conversions and modifications	3
Copyright	3
Intended use	4
Technical data.....	4
Check the scope of delivery	6
Assembly	7
Montage of optinal handrails - see associated assembly instructions	11
Transport, Storage.....	12
Safety notes.....	12
Safety marking	12
Symbols used:	12
Additional symbols and minimum requirements for platform ladders.	14
Repair and maintenance.....	14
Cleaning	14
Maintenance.....	14
Repair	15
Disposal 15	
Check/inspection sheet for all ladder types	16
Notes	19



WARNING

The warning indicates a hazard with a medium level of risk, which, if not avoided, may result in death or serious injury.



NOTICE

Notice stands for requirements and important information which must be particularly observed.

Introduction

These instructions contain important information on the safe and proper handling of the ladder. Observing the operating instructions helps to avoid hazards as well as to increase



HINWEIS

Anleitung beachten! Jede Person, die Arbeiten mit oder an dem Produkt durchführt, muss die Anleitung vor der Verwendung gelesen und verstanden haben.

the service life of the ladder.

In case of any queries or doubts, please refer to a dealer or to the manufacturer directly.

Warranty and liability

The scope, period and format of the warranty are laid out in the conditions of sale and delivery from MUNK GmbH.

In the case of warranty claims, the operating instructions applicable at the time of delivery are binding.

Beyond the conditions fo sale and delivery, the following applies.

No liability is assumed for personal injury or property damage resulting from one or more of the following:

- Improper use
- Lack of knowledge of or non-observance of the operating instructions
- Incorrect assembly and use of the product
- Incorrectly performed repairs
- Use of anything other than original spare parts
- Use of ladders with defective components
- Inadequately qualified or insufficient assembly and operating personnel
- Unauthorised structural modifications
- Catastrophes caused by external influences or force majeure

It is the sole responsibility of the operator to ensure that the safety conditions are complied with and intended use is ensured.

MUNK GmbH

Günzburg, 02.07.2024

Conversions and modifications

In compliance with the legal requirements of the Ordinance on Safety and Health (BetrSichV), persons with sufficient technical knowledge and skills can carry out minor repair work on ladders and steps.

Major repair work should be carried out by authorised specialist companies or the manufacturer.

Copyright

These instructions apply to all ladders whose material numbers are listed on the title page.
©2022 MUNK GmbH

All rights to this document are reserved by MUNK GmbH. This document may not be copied, reproduced or translated in whole or in part without the written permission of MUNK GmbH.

The document is intended for the user of the product described and may only be passed on to the purchaser if the ladder is resold.

Subject to technical modifications and errors. No claims to specific properties of the product can be derived from the contents of these operating instructions.

Intended use

MUNK GmbH ladders comply with the DIN EN 131 series of standards.

Ladders that have been tested and certified for safety by an independent testing institute can be recognised by the seal of approval.

Only use the ladder under the conditions described in these operating instructions. Any other use is considered improper.

Ladders for professional use

The use of ladders as high-level workplaces is only permitted in cases where, because of the low level of risk and because the duration of use is short, the use of other safe work equipment is not appropriate and the risk assessment has established that the work can be carried out safely.



NOTICE

DGUV Guideline

The guideline for the use of ladders and steps (DGUV-I 208-016) lists the regulations of the German Work Safety Act, the Ordinance on Safety and Health (BetrSichV), the regulations of the employer's liability insurance association and the relevant standards that must be taken into account when providing and using ladders and steps.

As an implementation of the EU Work Equipment Directive, the BetrSichV stipulates a periodic inspection of work equipment, e.g. ladders, by a person qualified to carry out the inspection.

Technical data

All ladders listed correspond to the „professional use“ ladder class as per DIN EN 131-2:2017.

The max. load capacity of all the ladders listed in these instruction is 150 kg.

Platform stairs, single-sides access, spring-loaded castors, grooved aluminium							
Article number	50102	50103	50104	50105	50106	50107	50108
Work height [m]	2,48	2,70	3,00	3,20	3,50	3,70	3,90
Platform height [m]	0,48	0,72	0,96	1,20	1,44	1,68	1,92
Step quantity, incl. platform	2	3	4	5	6	7	8
Approx. weight [kg]	27,0	30,0	32,0	35,0	38,0	43,0	47,0

Platform stairs, single-sides access, spring-loaded castors, steel wgrating							
Article number	51102	51103	51104	51105	51106	51107	51108
Work height [m]	2,48	2,70	3,00	3,20	3,50	3,70	3,90
Platform height [m]	0,48	0,72	0,96	1,20	1,44	1,68	1,92
Step quantity, incl. platform	2	3	4	5	6	7	8
Approx. weight [kg]	32,0	37,0	41,0	46,0	52,0	57,0	63,0

Platform stairs, single-sides access, spring-loaded castors, R13							
Article number	54102	5103	54104	54105	54106	54107	54108
Work height [m]	2,48	2,70	3,00	3,20	3,50	3,70	3,90
Platform height [m]	0,48	0,72	0,96	1,20	1,44	1,68	1,92
Step quantity, incl. platform	2	3	4	5	6	7	8
Approx. weight [kg]	27,0	30,0	32,0	35,0	38,0	43,0	47,0

Platform stairs, single-sides access, castors, handles, grooved aluminium						
Article number	56103	56104	56105	56106	56107	56108
Work height [m]	2,70	3,00	3,20	3,50	3,70	3,90
Platform height [m]	0,72	0,96	1,20	1,44	1,68	1,92
Step quantity, incl. platform	3	4	5	6	7	8
Approx. weight [kg]	30,0	32,0	35,0	38,0	43,0	47,0

Platform stairs, single-sides access, castors, handles, steel grating						
Article number	58103	58104	58105	58106	58107	58108
Work height [m]	2,70	3,00	3,20	3,50	3,70	3,90
Platform height [m]	0,72	0,96	1,20	1,44	1,68	1,92
Step quantity, incl. platform	3	4	5	6	7	8
Approx. weight [kg]	37,0	41,0	46,0	52,0	57,0	63,0

Platform stairs, single-sides access, castors, handles, R13						
Article number	55103	55104	55105	55106	55107	55108
Work height [m]	2,70	3,00	3,20	3,50	3,70	3,90
Platform height [m]	0,72	0,96	1,20	1,44	1,68	1,92
Step quantity, incl. platform	3	4	5	6	7	8
Approx. weight [kg]	30,0	32,0	35,0	38,0	43,0	47,0

Platform stairs, double-sides access, spring-loaded castors, grooved aluminium						
Article number	50203	50204	50205	50206	50207	50208
Work height [m]	2,70	3,00	3,20	3,50	3,70	3,90
Platform height [m]	0,72	0,96	1,20	1,44	1,68	1,92
Step quantity, incl. platform	3	4	5	6	7	8
Approx. weight [kg]	30,0	34,0	39,0	44,0	49,0	55,0

Platform stairs, double-sides access, spring-loaded castors, steel grating						
Article number	51203	51204	51205	51206	51207	51208
Work height [m]	2,70	3,00	3,20	3,50	3,70	3,90
Platform height [m]	0,72	0,96	1,20	1,44	1,68	1,92
Step quantity, incl. platform	3	4	5	6	7	8
Approx. weight [kg]	40,0	47,0	55,0	63,0	72,0	82,0

Platform stairs, double-sides access, spring-loaded castors, R13						
Article number	59203	59204	59205	59206	59207	59208
Work height [m]	2,70	3,00	3,20	3,50	3,70	3,90
Platform height [m]	0,72	0,96	1,20	1,44	1,68	1,92
Step quantity, incl. platform	3	4	5	6	7	8
Approx. weight [kg]	30,0	34,0	39,0	44,0	49,0	55,0

Check the scope of delivery

The ladders are packed carefully before delivery.

- Check the delivery immediately for damage.
- Report any damage to the transport company immediately.
- Inform your dealer immediately if any parts are missing.
- The packaging is to be disposed of in accordance with applicable legislation and statutory regulations.

Assembly

Montage of optinal handrails - see associated assembly instructions

Transport, Storage

- During transport, make sure that the ladder is handled properly.
- Note the weight of the ladder.
- Do not endanger yourself or other persons during transport.
- To prevent damage and deformation, store ladders in a dry condition, shielded from direct sunlight and weather conditions on a flat, clean surface or on suitable ladder holders.
- Ladders made from thermoplastic, thermosetting plastic and reinforced plastic, or which contain these materials, should be stored out of direct sunlight (UV light).
- Ladders made from wood should be stored away in a dry location.

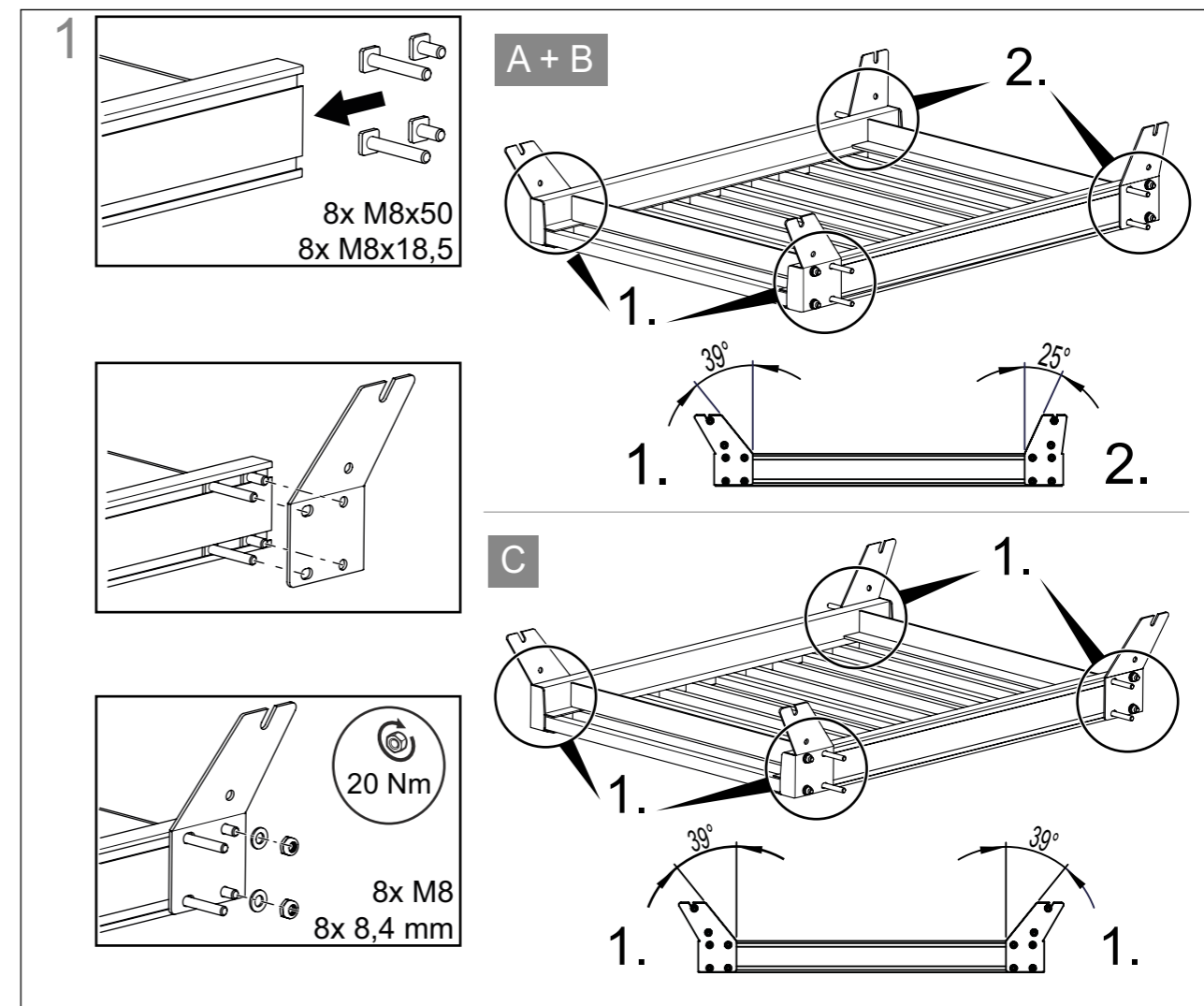
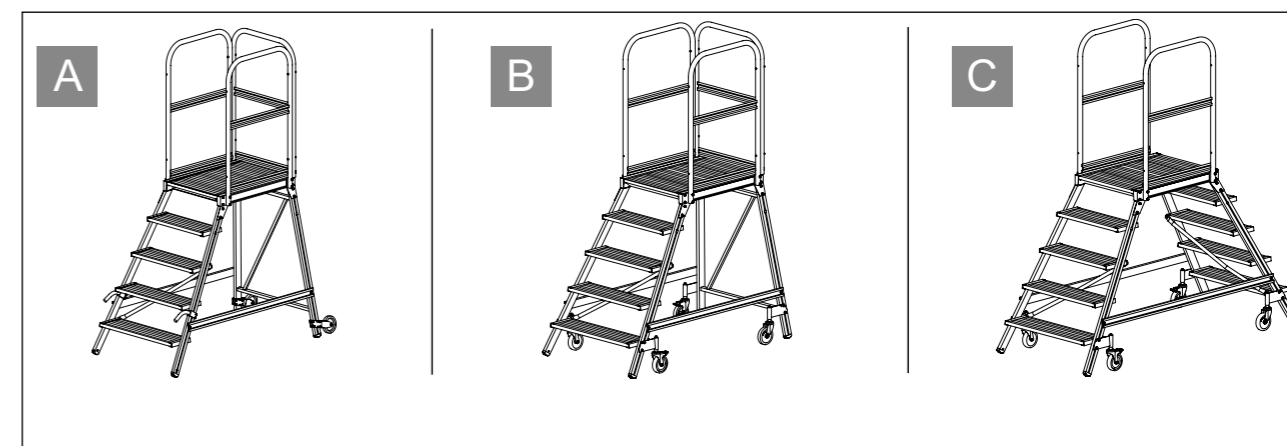


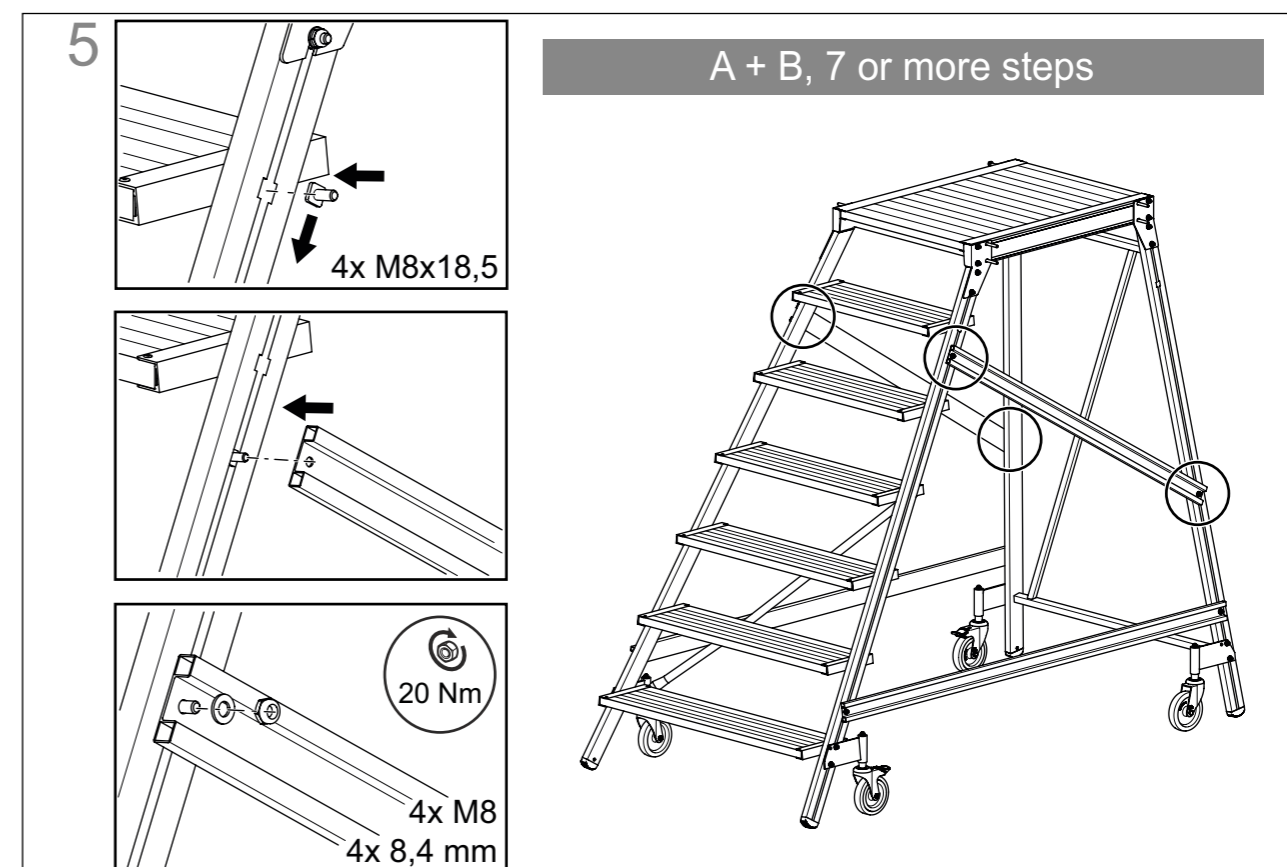
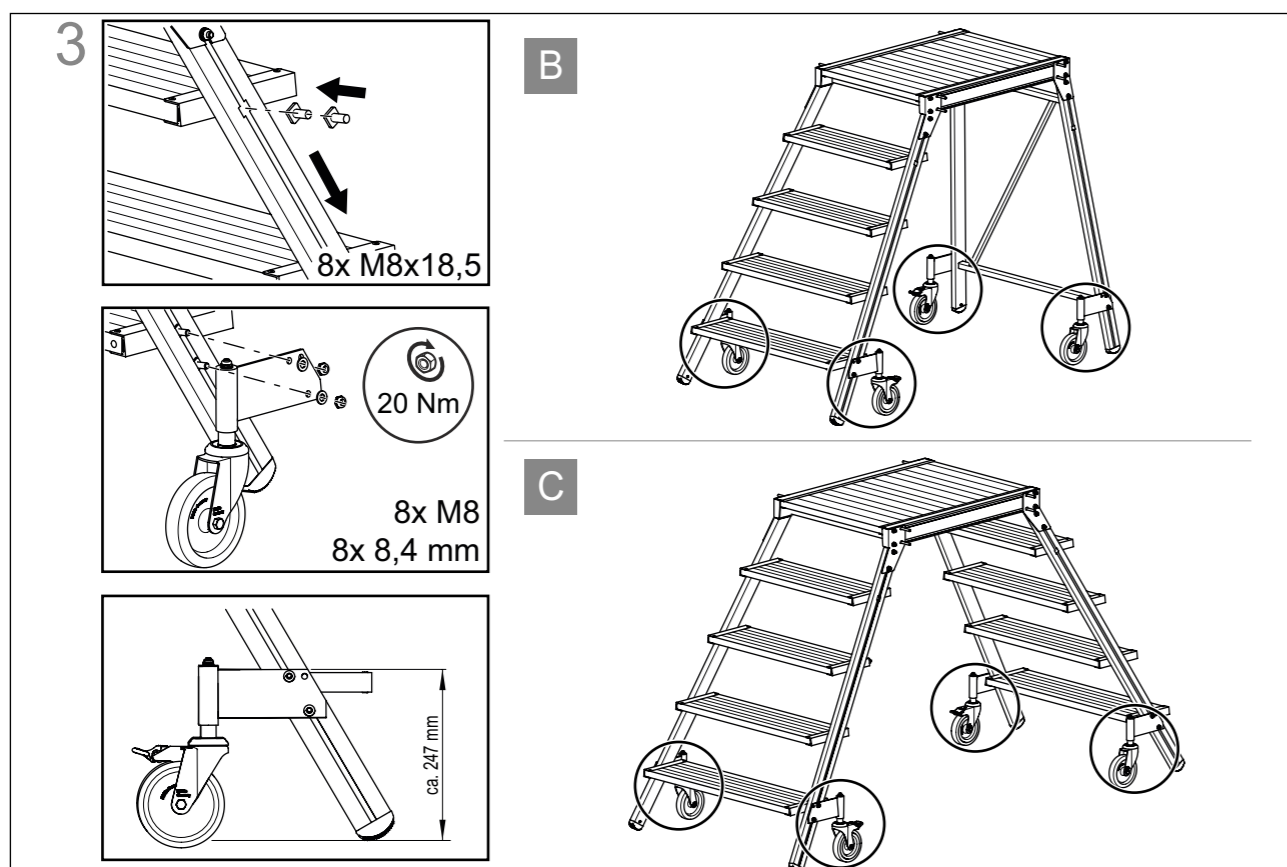
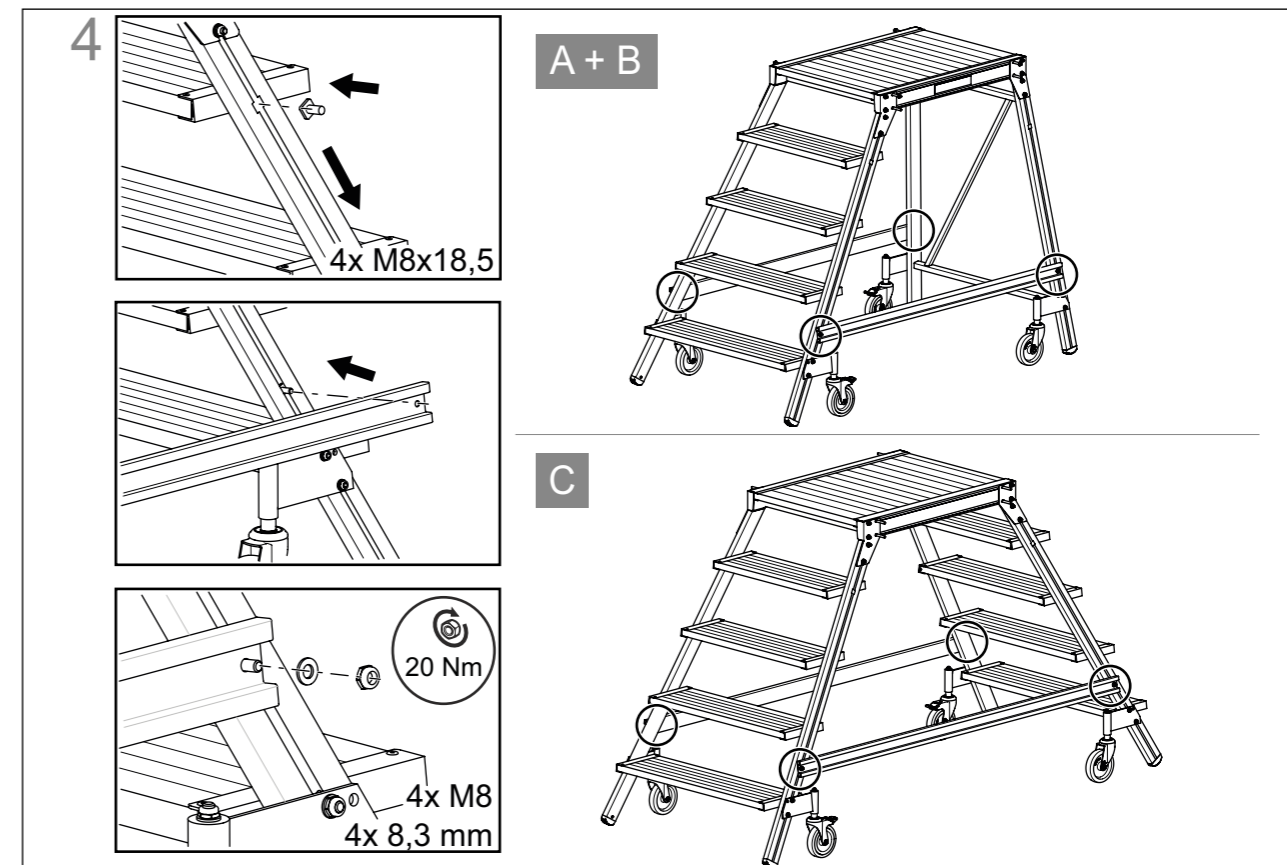
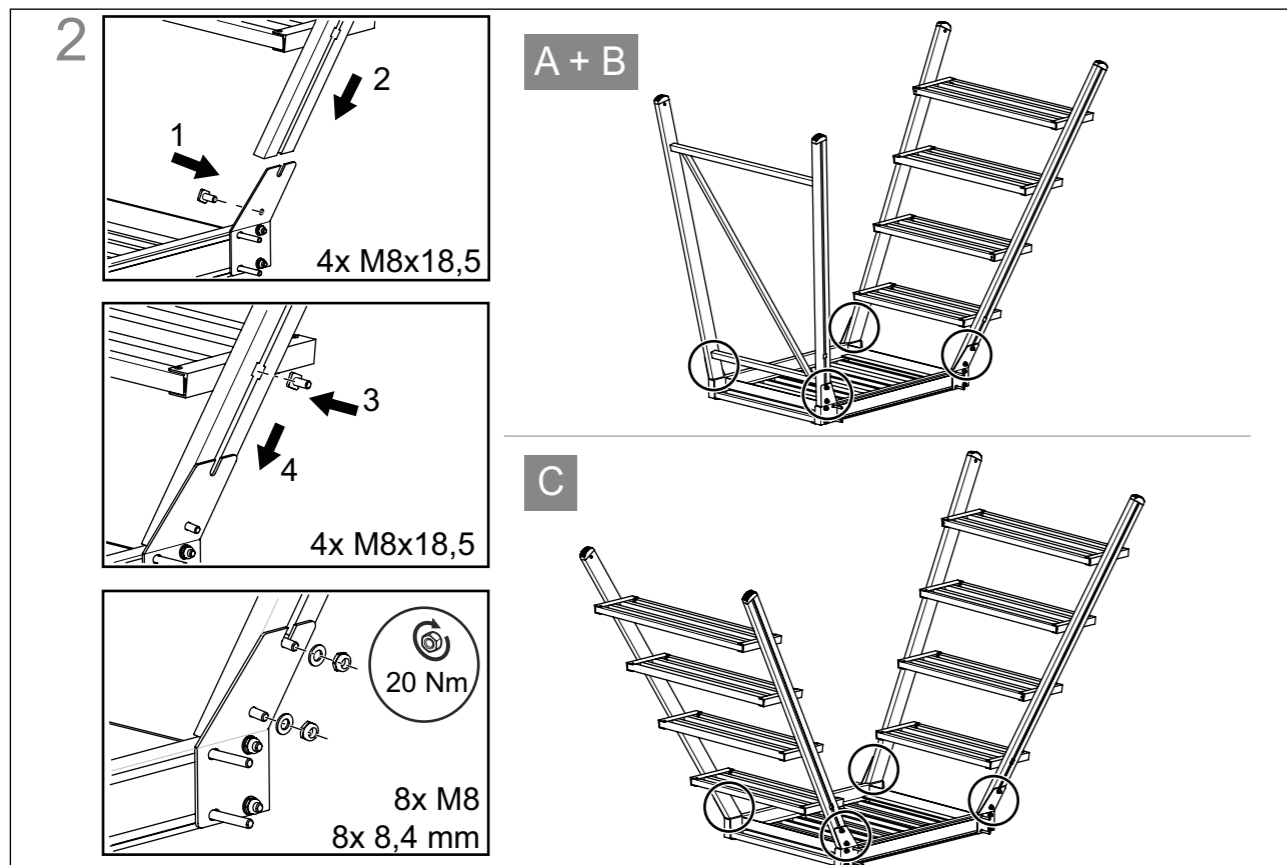
WARNING

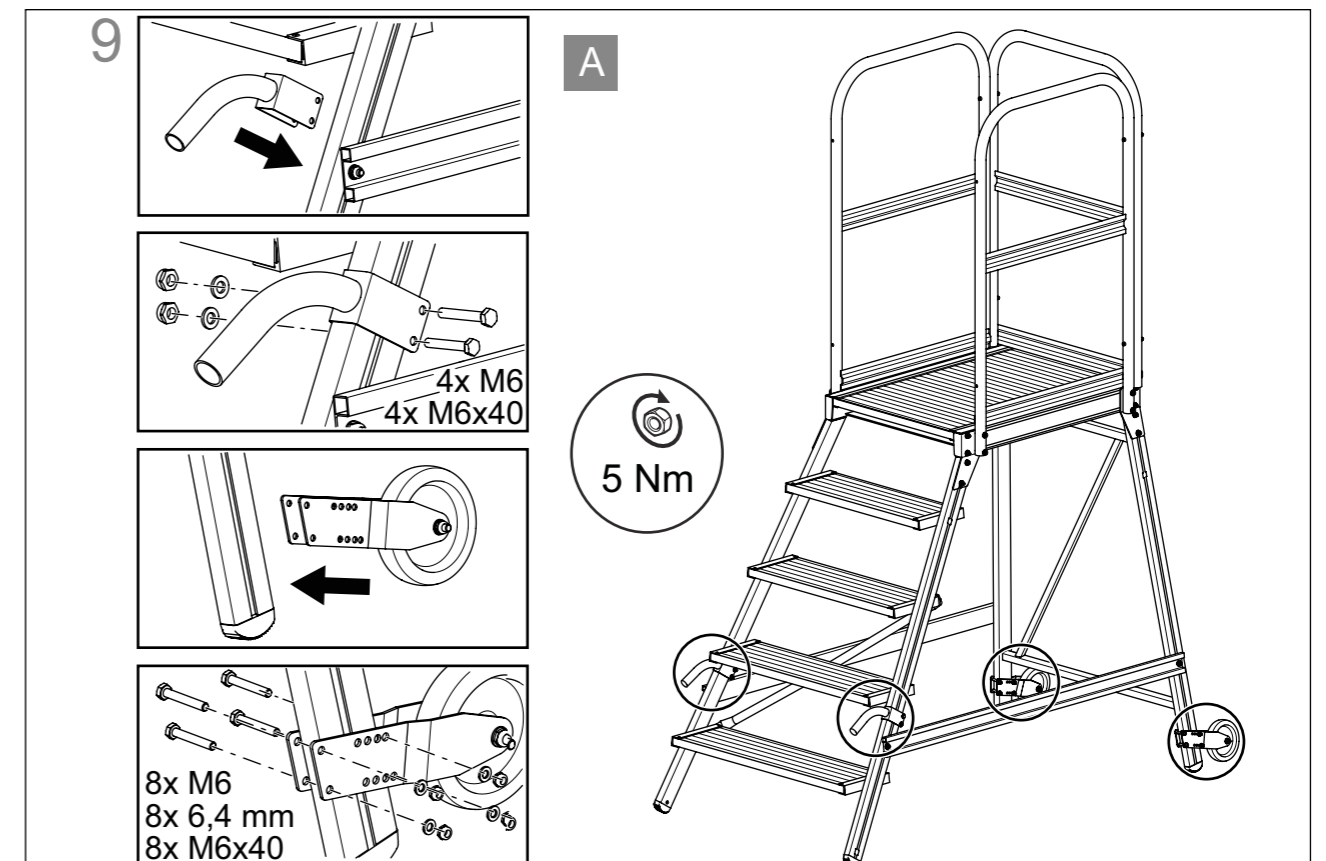
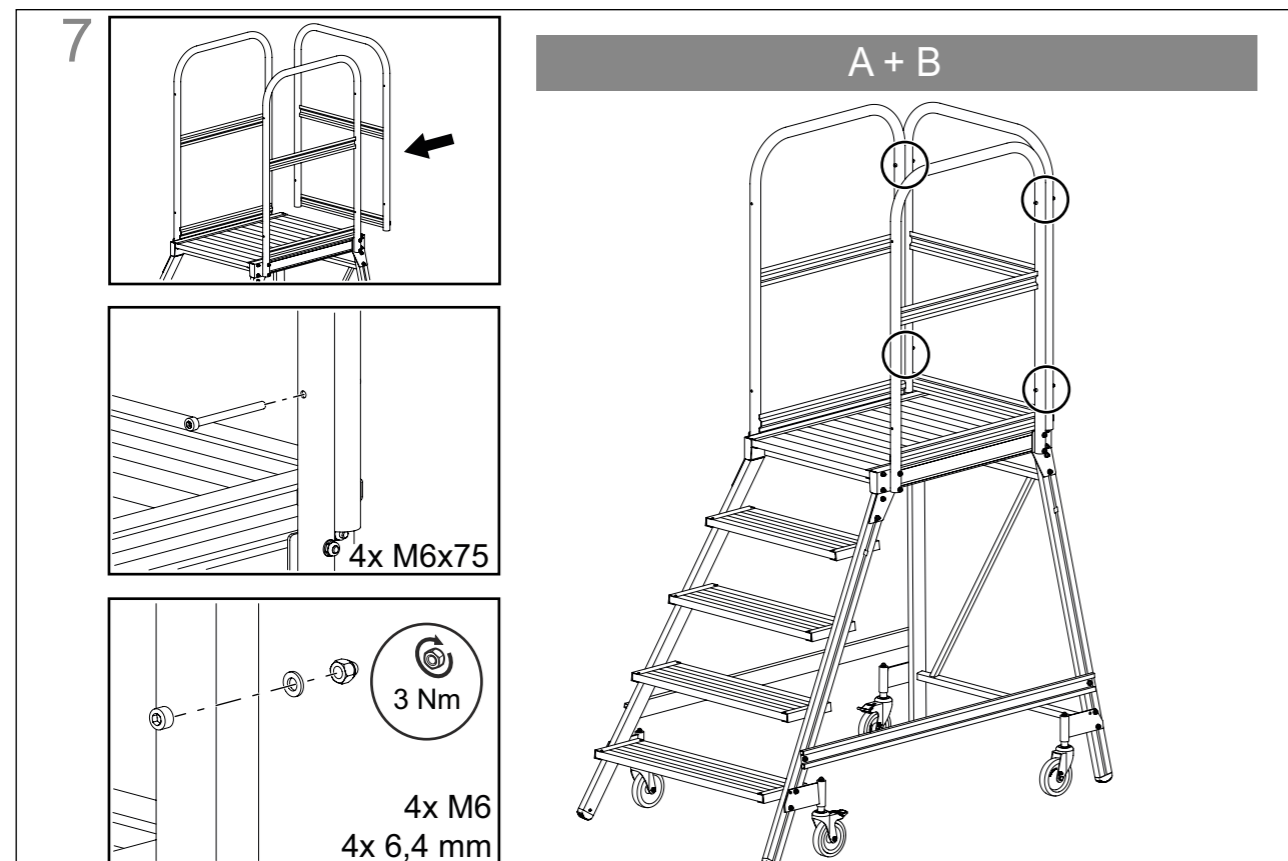
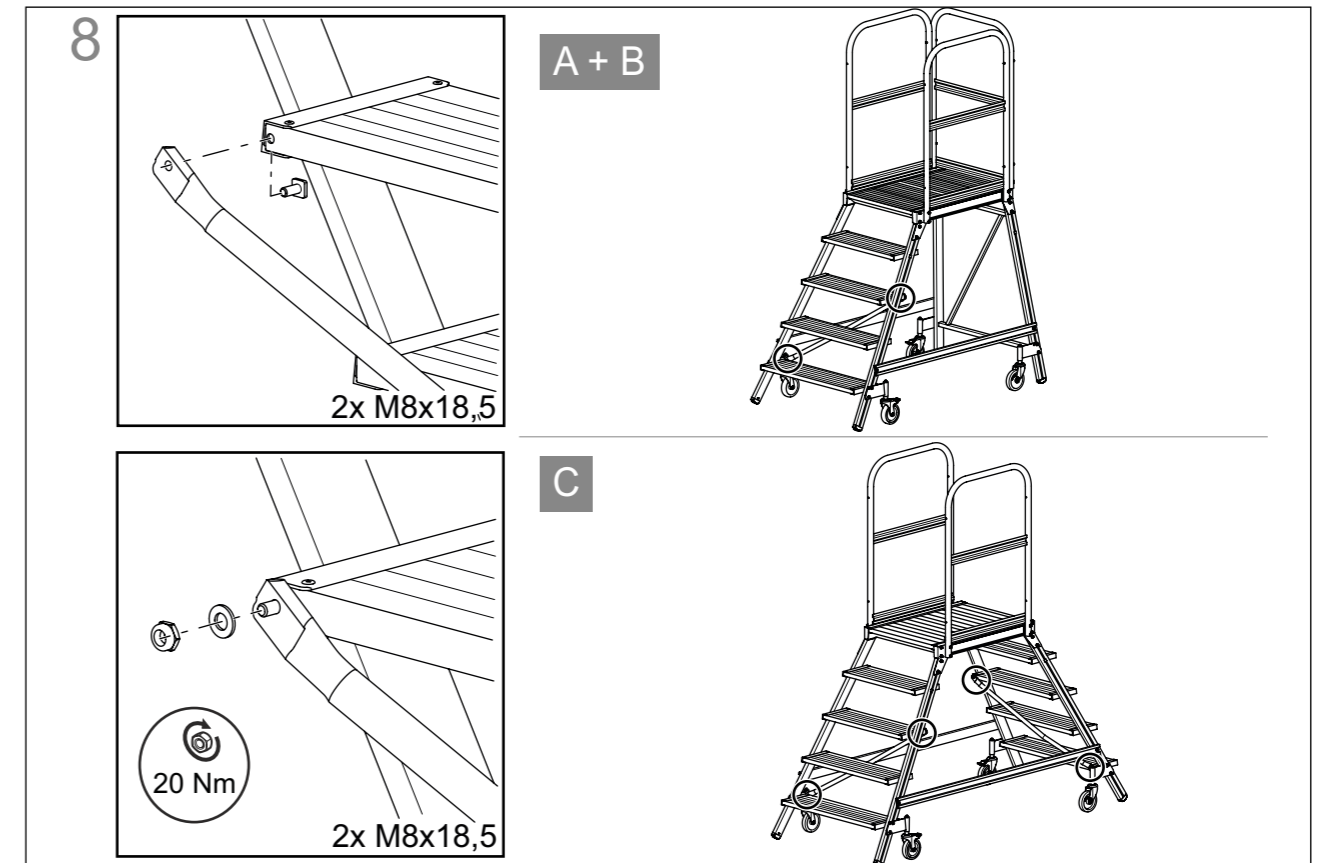
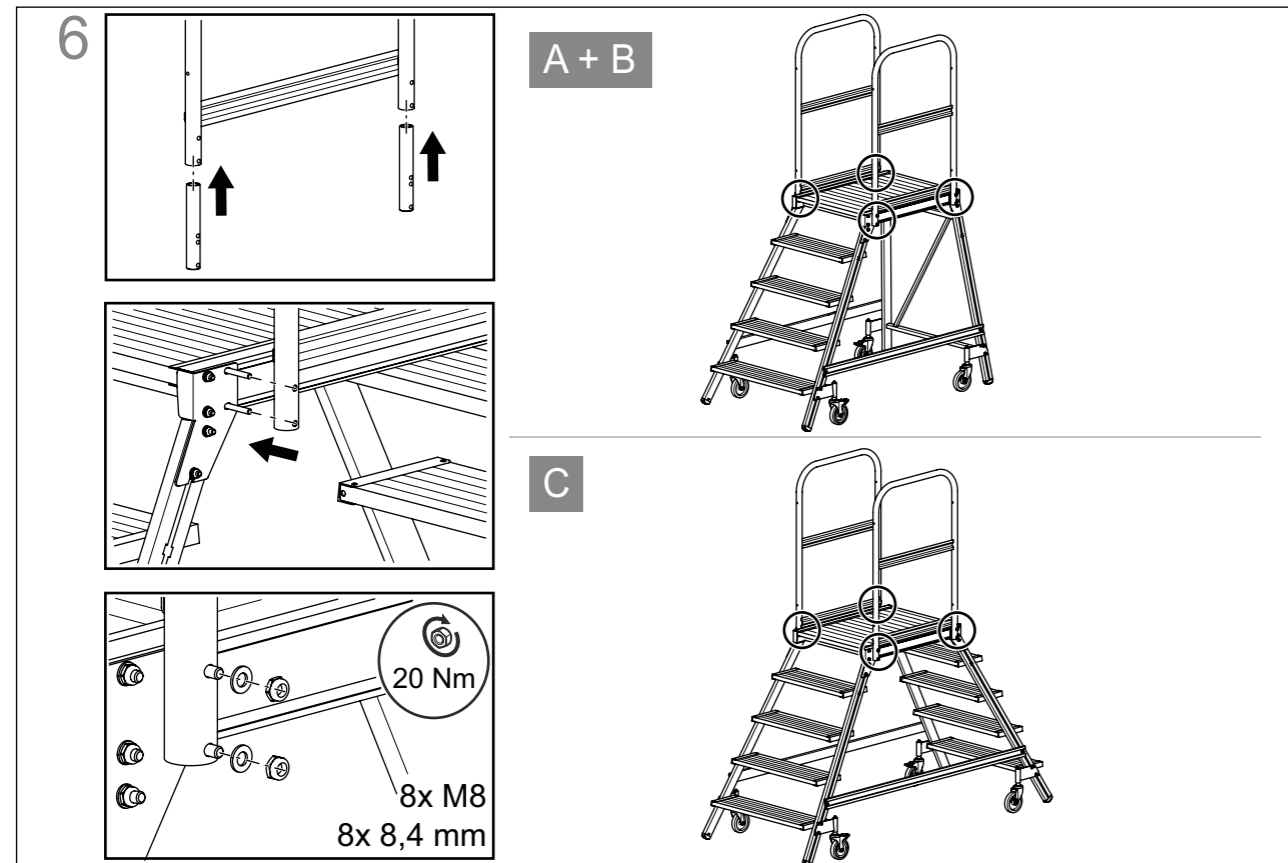
Danger of suffocation
The ladders and their packaging are not toys. There is a risk of suffocation when playing with the packaging.
Keep the packaging away from children

- Storage should be in locations where ladders cannot be damaged by vehicles, heavy objects or contaminants.

- During storage, make sure that the ladders do not pose a risk of tripping or an obstacle.







- Ladders should not be stored with easy accessibility to restrict their use for criminal

purposes.

Safety notes

Safety marking

In accordance with DIN EN 131-3, the use of different ladder types is to be explained with symbols. Below, we present the symbols and minimum requirements used by us for all ladder types with respect to their meaning

Symbols used:

✓ = permitted / required action

✗ = not permitted / warning

Additional symbols and minimum requirements for platform ladders.

Repair and maintenance

Depending on usage frequency and environmental influences, ladders must be serviced regularly. This involves cleaning, function checks of moving parts and, if necessary, lubricate.



WARNING

Danger of accidents
Always consider possible risks when using the ladder. The ladder must be suitable for the intended use. Carry out any work with and on the ladder in such a way that the dangers are kept to a minimum.



WARNING

Danger of accidents
When ladders are set-up permanently, make sure that they are not being used by unauthorised persons (e.g. children).

Cleaning

- If visibly dirty, clean the ladders, especially all moving parts, as soon as possible after use.
- Treat heavy soiling with warm water and commercially available cleaning agents, and dry down the ladders with a clean cloth.

Maintenance

Maintenance measures may only be carried out by skilled, commissioned and instructed



NOTICE

Before using the ladder, read the descriptions of the safety markings carefully. The symbols shown here may be attached to the ladders.

Description	Symbol
1 Warning, falling from the ladder.	
2 Refer to instruction manual.	
3 Inspect the ladder after delivery. Before every use visually check the ladder is not damaged and is safe to use. Do not use damaged ladders.	
4 Maximum total load.	
5 Do not use the ladder on unlevel or unfirm base.	
6 Do not overreach.	
7 Do not erect ladders on contaminated ground.	
8 Maximum number of users.	
9 Do not ascend or descend unless you are facing the ladder	
10 Keep a secure grip on the ladder when ascending and descending. Maintain a handhold whilst working from a ladder or take additional safety precautions if you cannot.	
11 Do not wear unsuitable footwear when climbing a ladder.	
12 Avoid work that imposes a sideways load on ladders, such as side-on drilling through solid materials.	
13 Do not carry equipment which is heavy or difficult to handle while using a ladder.	

Description	Symbol
14 Do not use the ladder if you are not fit enough. Certain medical conditions or medication, alcohol or drug abuse could make ladder use unsafe.	
15 Do not spend long periods on a ladder without regular breaks (tiredness is a risk).	
16 Prevent damage of the ladder when transporting e.g. by fastening and, ensure they are suitably placed to prevent damage.	
17 Ensure the ladder is suitable for the task.	
18 Do not use the ladder if contaminated, e.g. with wet paint, mud, oil or snow.	
19 Do not use the ladder outside in adverse weather conditions, such as strong wind.	
20 For professional use a risk assessment shall be carried out respecting the legislation in the country of use.	
21 When positioning the ladder take into account risk of collision with the ladder e.g. from pedestrians, vehicles or doors. Secure doors (not fire exits) and windows where possible in the work area.	
22 Identify any electrical risks in the work area, such as overhead lines or other exposed electrical equipment and do not use the ladder where electrical risks occur.	
23 Do not use ladders as a bridge.	

Description	Symbol
24 Do not modify the ladder design.	
25 Do not move a ladder while standing on it.	

Description	Symbol
26 For outdoor use caution to the wind.	
27 Stabilizer bars must be attached to the ladder prior to first use.	

employees or by other contractors with comparable qualifications who are suitable for

Description	Symbol
1 Do not step off the side of platform ladder onto another surface.	
2 Areas thus marked must not be entered.	
3 Use only with stabiliser (if part of ladder).	

Description	Symbol
4 Use only with ballast weight (if part of the ladder).	
5 Use only with brakes applied (if part of the ladder).	
6 Do not use ladders outdoors unless they are designed for that purpose.	

carrying out the maintenance work.

- Make sure that rungs, steps, step pads or platforms are not covered in grease or oil, or become so. If this does occur, clean the affected areas immediately; e.g. with some spirit.
- Moving parts- such as hinges, lift locks, spring bolts, etc. - are to be treated with commercially available spray grease (e.g. HHS 2000) if required..
- Oil must not be used for lubrication.

Repair

Carry out any repairs or replacements of parts in accordance with the manufacturer's spe-



NOTICE

Do not use cleansers containing solvents. Dispose of used cleaning agents in accordance with the applicable environmental protection regulations.

cifications.

In the case of ladders used for professional purposes, maintenance and repair work must be inspected by a person qualified to carry out the inspection. This person must have acquired knowledge to carry out this work, e.g. by attending a training course provided by the manufacturer.

Only original parts from the manufacturer may be used as accessories and spare parts.

Contact the manufacturer or dealer for repairs and replacements of parts, e.g. feet. In case of doubt, have ladders repaired by specialist companies or the manufacturer.

Paint finish for a wooden ladder

Ladders made from wood must not be covered with opaque or water vapour-tight paints.

Disposal

- At the end of its service life, the ladders must be disposed of in accordance with statutory regulations.
- Since aluminium is a high-value material, this should be fed back into the recycling process.
- You can find detailed information on this matter from your local municipality.



NOTICE

For notes on repairs, please refer to:
<https://www.steigtechnik.de/Downloads/Anleitungen/werkstattkarten-pdf>

Check/inspection sheet for all ladder types

Check sheet for the checking of steps and ladders in accordance with BetrSichV, the directions for use for steps and ladders, DGUV information sheet 208-016 (formerly BGI 694).

The time intervals for the inspections are based in particular on frequency of use, load values during use, as well as the frequency and severity of the detected deficiencies of previous inspections.

The results of this inspection are to be recorded.

Inventory no. _____

Location _____

Type of ladder

<input type="checkbox"/> Leaning ladder	<input type="checkbox"/> Standing ladder
<input type="checkbox"/> Rope-operated ladder	<input type="checkbox"/> Combination ladder
<input type="checkbox"/> Platform ladder	<input type="checkbox"/> Extending ladder
<input type="checkbox"/> Sectional ladder	<input type="checkbox"/> Step stool
<input type="checkbox"/> Other	<input type="checkbox"/> _____

Ladder material

<input type="checkbox"/> Aluminium	<input type="checkbox"/> Plastic
<input type="checkbox"/> Steel	<input type="checkbox"/> Stainless steel
<input type="checkbox"/> Wood	<input type="checkbox"/> Plastic / aluminium

Ladder data

Ladder length/height _____

Number of rungs/steps _____

max. load _____

Fittings (e.g. EX-design) _____

Certification mark: yes no

(GS-mark / type tested)

Data after a repair

Ladder length/height _____

Number of rungs/steps _____

Manufacture / supplier _____

Order no. _____

Purchase date _____

Inspection performed by _____

Responsible persons informed _____

Comment: _____

List of the minimum parts to be checked

Inspection criteria	1st inspection		2nd inspection		3rd inspection	
	OK	n. OK	OK	n. OK	OK	n. OK
Rungs / steps / platform						
Deformation						
Damage (e.g. cracks) / corrosion						
Connections and completeness						
Wear (platform covering, tread surface)						
Sharp edges / splinters / burrs						
Stile/legs						
Deformation						
Damage (e.g. cracks) / corrosion						
Sharp edges / splinters / burrs						
Wear						
Protective coatings						
Fittings / joints / locks / connecting elements / rung hooks / rivets / screws / bolts						
Completeness / fixing						
Damage (e.g. cracks) / corrosion						
Wear						
Firm fitting						
Functionality						
Lubrication (mechanical Parts)						
Ladder feet / rollers / end caps						
Firm fitting of the fixing / completeness						
Wear / damage						
Functionality						
Corrosion						
Opening restraint device / lock						
Fixing / completeness						
Damage						
Corrosion						
Functionality in horizontal position						

Sicherheit. Made in Germany.

Die MUNK Günzburger Steigtechnik ist eine Marke der MUNK Group und steht für Leitern, Rollgerüste und Sonderkonstruktionen in Premium-Qualität.



MUNK Günzburger Steigtechnik



MUNK Rettungstechnik



MUNK Profiltechnik



MUNK Service

MUNK GmbH | Rudolf-Diesel-Str. 23 | 89312 Günzburg
Tel +49 (0) 82 21 / 36 16-01 | Fax +49 (0) 82 21 / 36 16-80 | info@munk-group.com