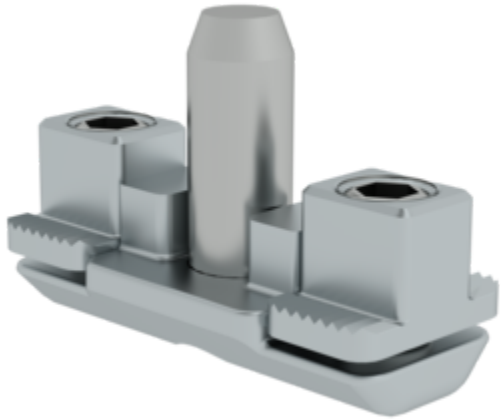


Order no.: 930217

ZIG connector 8-40 M8



Specification

Material Galvanised steel	Weight/piece 35 g	Groove size 8 mm	ISO thread M8	Dimension A 17 mm
Dimension B 29 mm	Dimension C 25 mm	Order no. 930217		

Facts

- Profile connector with force-fit connection
- Straightforward application, minimal processing effort
- Infinitely variable adjustability, subsequent adjustment possible
- Durable and reliable construction
- Optimised for quick assembly

More product pictures



Corporate certifications

on sustainability criteria



Management System
ISO 9001:2015
ISO 14001:2015
www.tuv.com
ID 9108612548

