

Order no.: 019808

Spring-loaded castor for step ladders

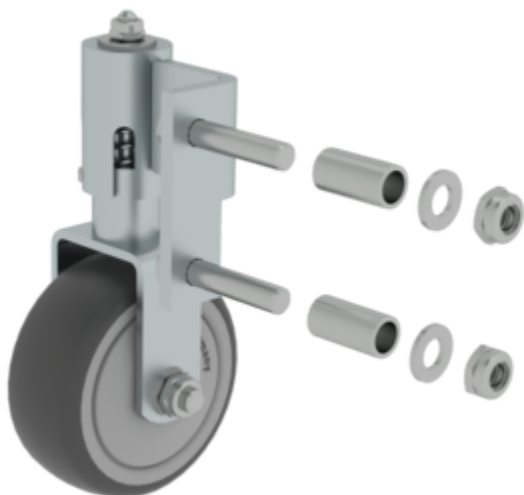
Model versions

80 mm for right side

80 mm for left side

50 mm for right side

50 mm for left side



Specification

Product type Spare part	Castor diameter 80 mm	Material Galvanised steel Aluminium	Weight 0.63 kg	Transport dimensions 160 x 80 x 70 mm, 0.626 kg
Business division MUNK Günzburger Steigtechnik	Article no. 019808	Price € 49.00		

Facts

- Spring-loaded castor for the lower ladder end
- 4 pieces are required for double-sided ladders: 2x right, 2x left
- Note on castor retrofitting: To facilitate moving the double-sided ladders in the unloaded condition, the ladder sections must be joined together using two detachable metal struts (2 pcs., order no. 19831), which also increase stability

Scope of supply

- Spring-loaded castor: 1 x

Information on sustainability criteria

- Corporate certification: ISO 9001
- Corporate certification: EN 1090
- Corporate certification: EcoVadis
- RoHS
- REACH
- The MUNK Group complies with a Code of Conduct
- The Supply Chain Act does not apply due to our size
- The materials used are listed in the technical specification
- Resource-saving production: own photovoltaic systems
- Energy-efficient consumption during production: LED lighting
- Repairability, durability and quality: 15-year warranty on series products made in Germany
- Recyclability: Our products are mostly made of aluminium, steel or wood and can be fed directly into the recycling process.
- Socially acceptable working conditions in production: fair wages, gender equality
- Economical and recyclable packaging: no use of polystyrene, predominantly use of wood and cardboard, small amounts of plastic
- No health hazards for the users

More product pictures



Corporate certifications

on sustainability criteria

