

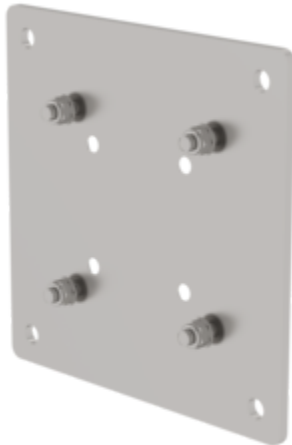
Order no.: 060948

## Adapter plate

Material

Stainless steel

Hot-galvanised



## Specification

Material <b>Stainless steel</b>	Weight <b>5.76 kg</b>	Transport dimensions <b>300 x 300 x 35 mm, 5.76 kg</b>	Business division <b>MUNK Günzburger Steigtechnik</b>	Order no. <b>060948</b>
Price <b>€ 250.00</b>				

## Facts

- The adapter plate is required for brick masonry to enlarge the wall plug distance and the screwing surface
- Suitable for wall anchor and spacer segment with 150 mm hole pattern
- L x W x H 300 x 300 x 8 mm, 5.7 kg

## Scope of supply

- Adapter plate : 1 x
- Installation material: 1 x
- Assembly instructions: 1 x

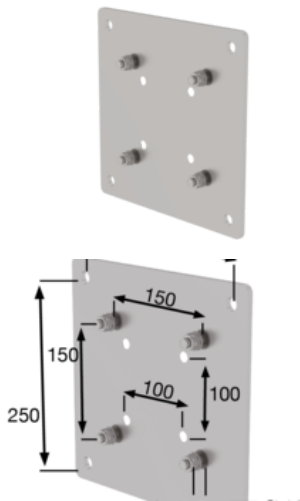
## Information on sustainability criteria

---

- Corporate certification: ISO 9001
- Corporate certification: ISO 14001
- Corporate certification: EN 1090
- Corporate certification: EcoVadis
- RoHS
- REACH
- The MUNK Group complies with a Code of Conduct
- The Supply Chain Act does not apply due to our size
- The materials used are listed in the technical specification
- Resource-saving production: own photovoltaic systems
- Energy-efficient consumption during production: LED lighting
- Repairability, durability and quality: 15-year warranty on series products made in Germany
- Recyclability: Our products are mostly made of aluminium, steel or wood and can be fed directly into the recycling process.
- Socially acceptable working conditions in production: fair wages, gender equality
- Economical and recyclable packaging: no use of polystyrene, predominantly use of wood and cardboard, small amounts of plastic
- No health hazards for the users

## More product pictures

---



## Added value

---

### Optimum planning

- Practical planning aids (available as [Downloads](#)) with tips for correct planning of vertical ladder systems
- Planning in close coordination with the client as well as the place and purpose of use
- Joint project planning



All [fixed ladders / vertical ladders](#) at a glance:

- [Single-flight vertical ladders](#) in accordance with DIN 18799-1/-3, DIN 14094-1 and DIN EN ISO 14122-4 (depending on the choice of standard and the situation on site at the exit, additional components such as exit steps, railings and safety doors may be required)
- DIN 18799-1: Stationary multiple-flight vertical ladders [on buildings](#)
- DIN 14094-1: Multiple-flight [emergency ladder systems \(emergency ladders\)](#).
- DIN EN ISO 14122-4: Stationary multiple-flight vertical ladders [on machinery](#)

## Corporate certifications

---

on sustainability criteria



Management System  
ISO 9001:2015  
ISO 14001:2015  
[www.tuv.com](http://www.tuv.com)  
ID 9108612548

